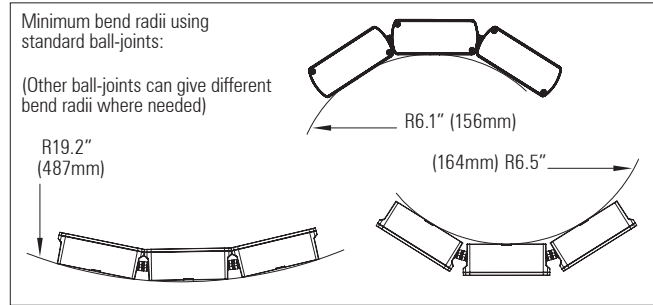
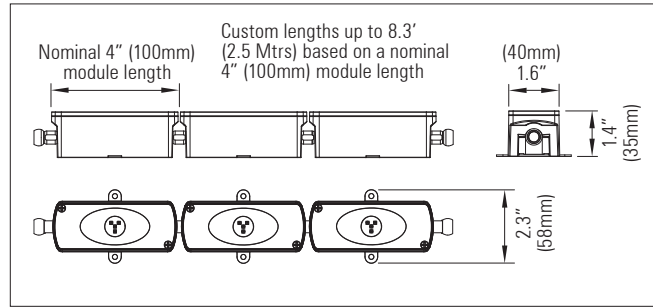


3D LED Flex 40 RGBW IP20 Class 2

1 x RGBW LED array with asymmetric white reflector per module
Modular, 3D flexible LED linear lighting system



1 x RGBW LED array with asymmetric white reflector per module

Modular, 3D flexible LED linear lighting system

Product description:

For use in interior lighting applications where the building surfaces are non linear with curved profiles

Each module - 1 x array of 4 x Luxeon Z or CZ LEDs - custom combinations of white and colour LEDs

High efficiency asymmetric white reflector

Up to 5 Watts per 4" (100mm) module. Up to 48 V DC supply

Flexible in 3 dimensions - Articulated ball-joint system between modules

LED pitch is maintained between the modules

Side, back and end power feed and connector options allow for continuous lighting with no dark areas between fixtures. 16 Amp IP20 connectors join fixtures together on-site

Integral LV constant current driver or remote Eldoled 4 Channel DMX driver

Remote DMX/DALI controller can be located up to 164' (50 mtrs) from the fixtures

Satin black, satin white or any RAL paint colour finish

Custom lengths based on a 4" (100mm) module length up to 8.3' (2.5 mtrs)

Various mounting options and bracket types are available

Custom combinations of different colour temp. white-light LEDs & different colour-light LEDs can be specified



RGBW: Up to 606 Lumens per ft (Up to 2,000 Lumens per Mtr)

White: Up to 1,360 Lumens per ft (Up to 4,500 Lumens per Mtr)

Product Code	No. of LEDs	IP	Length	Optics (°)	LED Type	LED Colour / Colour Temp.(K)	CRI	Cover	Feed	Finish
RAD 3D LED FLEX 40 IP20 RGBW - 4	1 x array of 4 x RGBW LEDs per 4" (100mm) module: 4" (100mm) pitch between arrays	20	4" (100mm) -increments of 4" (100mm) up to- 8.3' (2.5 mtrs)	120°	LUMILED Luxeon clusters: 4x RGBW CZ LEDs 4x RGBW Z LEDs	Specify all 4x LEDs in cluster:	80 90	Clear Frosted Opal	End Back Side	Black White Any RAL- colour
						Far Red, Red, Deep Red, Red-Orange, Amber, PC Amber, Mint, Lime, Green, Cyan, Blue, Royal Blue, Violet				

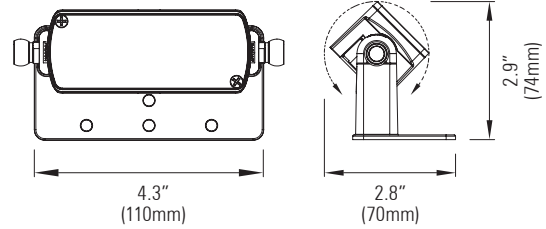
3D LED Flex 40 RGBW IP20 Class 2

1 x RGBW LED array with asymmetric white reflector per module

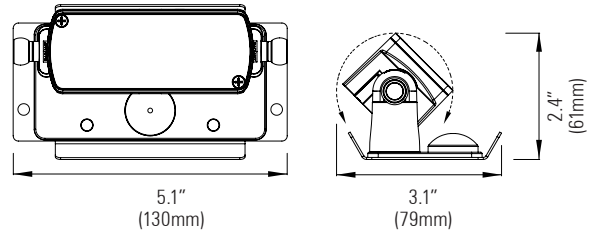
Adjustable angle mounting bracketry



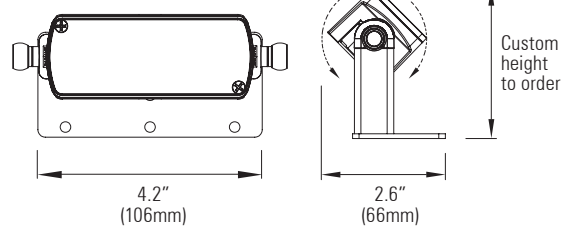
Standard IP20 adjustable angle mounting bracket
Polycarbonate. Black or white finish.



Magnetic IP20 adjustable angle mounting bracket
Bracket: Polycarbonate. Black or white finish. Magnetic fixing plate: Steel.



Custom height IP20 adjustable angle mounting bracket
Aluminium. Any powder coat finish.



Adjustable angle mounting bracketry for 3D LED Flex 40 IP20 1 x RGBW LED array with asymmetric white reflector per module

The 3D LED Flex 40 system is flexible in 3 dimensions, which allows it to follow curved building contours. Once they have been fixed to the building surface, adjustable angle brackets allow the modules to be rotated around the major axis, so that the light output can be aimed precisely.

The angle of the modules can be adjusted by hand easily on-site. The friction ball-joint system keeps the modules correctly positioned. There is also a lockable option, which allows each module to be locked in place using an Allen key once it is correctly positioned.

A standard height version and a custom height version are available.

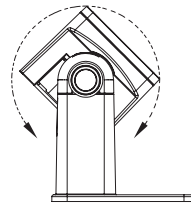
Custom options are also available.

The standard height bracket is made from polycarbonate and is available in black or white.

The custom-height bracket is made from aluminium with a powder coat finish which is available in satin black, satin white or any RAL paint colour finish.

The magnetic adjustable angle bracket comprises of a polycarbonate bracket and a steel magnetic fixing plate. The polycarbonate bracket is available in black or white.

The angle of the modules can be adjusted by hand on-site

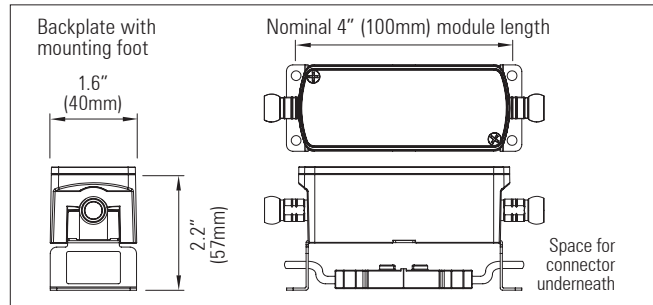
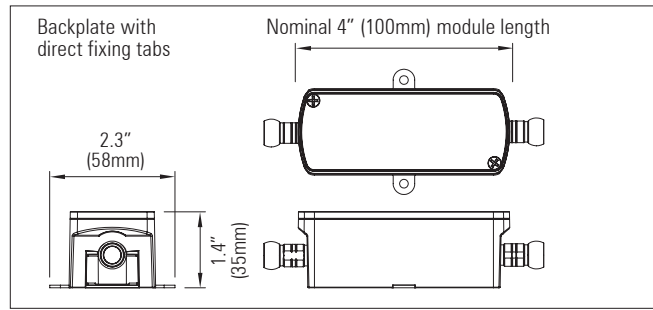


Product code	IP	Material	Finish	Height of legs
RAD 3D LED FLEX 40 IP20 ADJUSTABLE ANGLE BRACKET STANDARD PC	20	Polycarbonate	Black, white	0.8" (20mm) -increments of 0.2" (5mm) up to - 12" (305mm)
RAD 3D LED FLEX 40 IP20 MAGNETIC ADJUSTABLE ANGLE BRACKET		Bracket: Polycarbonate Magnetic fixing plate: Steel	Black, white	
RAD 3D LED FLEX 40 IP20 ADJUSTABLE ANGLE BRACKET CUSTOM HEIGHT AL		Aluminium	Any RAL colour	

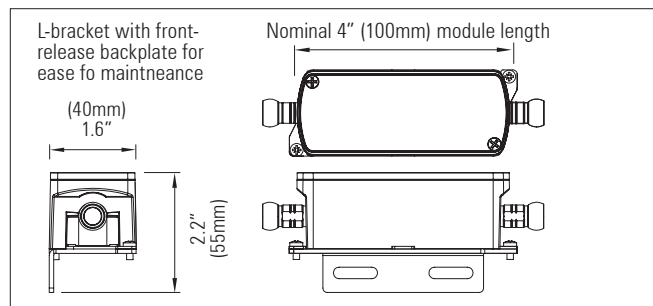
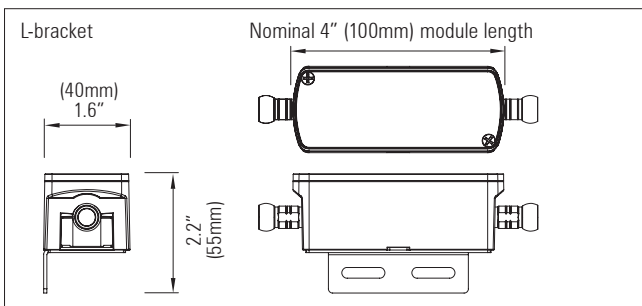
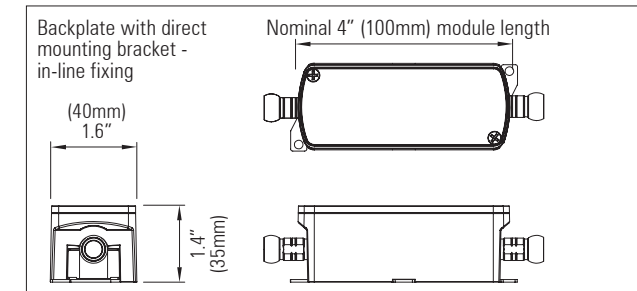
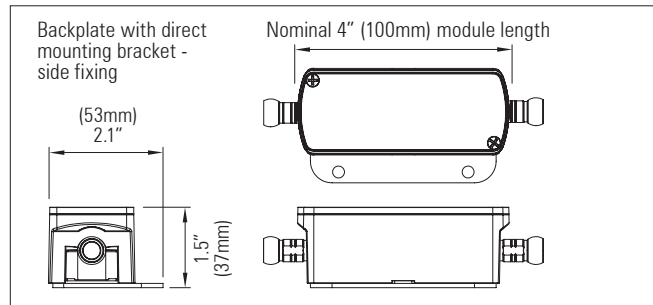
3D LED Flex 40 RGBW IP20 Class 2

1 x RGBW LED array with asymmetric white reflector per module

Fixed angle mounting bracketry



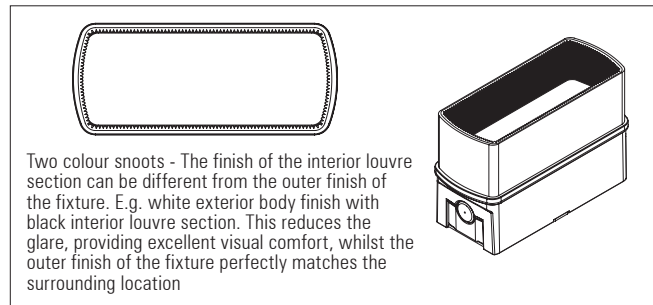
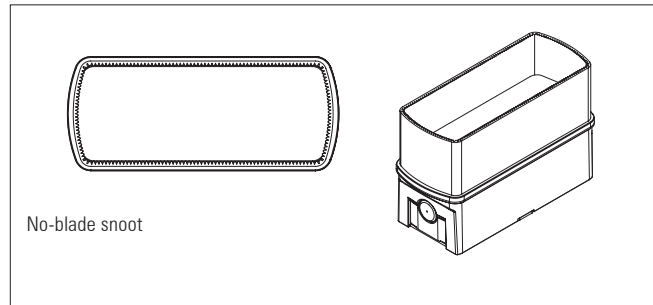
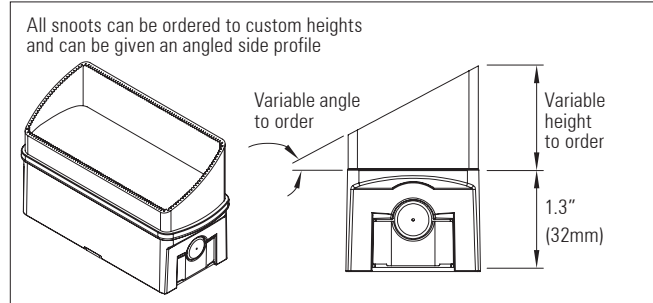
Product code	IP	Finish
RAD 3D LED FLEX 40 IP20 FIXED ANGLE BRACKET DIRECT FIXING TABS	20	Black White Any RAL colour
RAD 3D LED FLEX 40 IP20 FIXED ANGLE BRACKET WITH MOUNTING FOOT		
RAD 3D LED FLEX 40 IP20 FIXED ANGLE BRACKET SIDE FIXING		
RAD 3D LED FLEX 40 IP20 FIXED ANGLE BRACKET IN-LINE FIXING		
RAD 3D LED FLEX 40 IP20 FIXED ANGLE L-BRACKET FRONT RELEASE		
RAD 3D LED FLEX 40 IP20 FIXED ANGLE L-BRACKET		



3D LED Flex 40 RGBW IP20 Class 2

1 x RGBW LED array with asymmetric white reflector per module

Anti-glare accessories



3D LED FLEX 40 anti-glare accessories

For use with the 3D LED Flex 40 system IP20 to control light glare from the LEDs when the fixtures are not fully recessed

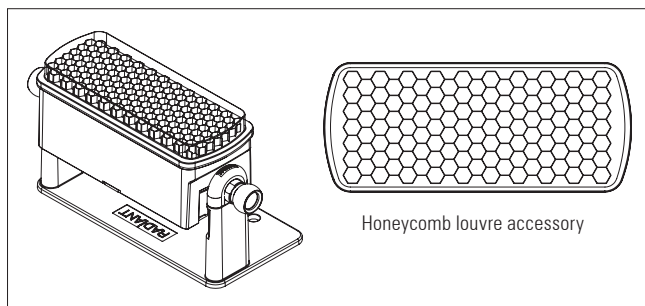
Satin black, satin white or any RAL paint colour finish. Two colour versions are also available - eg. white finish on exterior & black finish on interior of snoot. Both interior and exterior parts can be any RAL colour paint finish, or any anodised finish

Custom height to order

Straight or any custom cut-angle side profile to order

The honeycomb louvre accessory provides excellent glare control with a low profile

Product Code	No. of blades	IP	Height	Cut angle of side-profile (°)	Finish
RAD 3D LED FLEX 40 SNOOT	0	20	0.8" (20mm) -increments of 0.2" (5mm) up to - 12" 305mm)	0° -increments of 5° up to- 75°	Black White Any RAL colour Two colour - both parts can be any anodised or any RAL colour
RAD 3D LED FLEX 40 HONEY-COMB	NA	20	NA	NA	Black



Product description:

Radiant's 3D LED Flex 40 system comprises a patented articulated ball-joint system which links the heatsink modules.

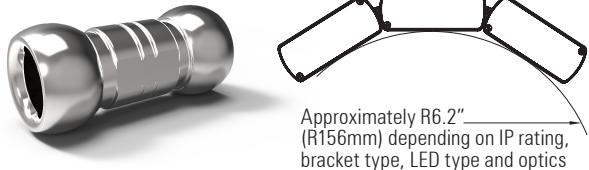
The ball-joints system allows the strips to bend and twist in 3 dimensions, so that they can follow any building contours, whilst maintaining a constant LED pitch.

There are various types of ball-joint to suit different applications, some of which can be seen on this data sheet. Please contact Radiant to discuss custom solutions.

Product Code	Material	Length
STANDARD BALL-JOINT BALL-JOINT STRAIGHT BRACKET BALL-JOINT BRACKET TIGHT BEND BALL-JOINT CURVED BRACKET BALL-JOINT TIGHT BENDS BALL-JOINT LONG	Nickel-plated brass	For longer ball-joint only: 3.9" (100mm) 7.9" (200mm) 11.8" (300mm) Custom lengths
BALL-JOINT IN LINE FIXING	Stainless steel	

Standard ball-joint

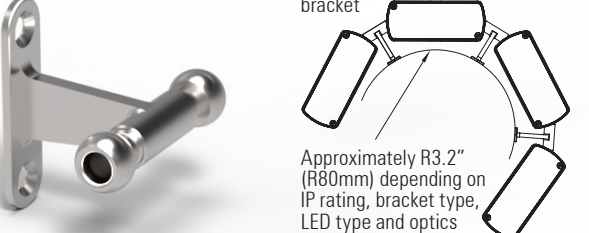
Minimum bend radius for 3D LED Flex 40 using standard ball-joints



Approximately R6.2" (R156mm) depending on IP rating, bracket type, LED type and optics

Ball-joint with straight bracket

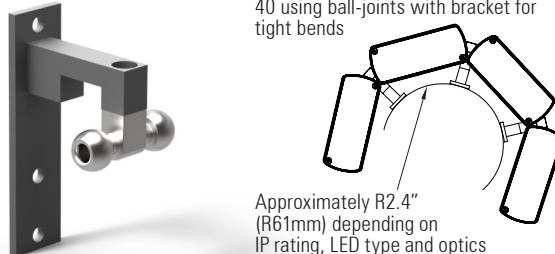
Minimum bend radius for 3D LED Flex 40 using ball-joints with straight bracket



Approximately R3.2" (R80mm) depending on IP rating, bracket type, LED type and optics

Ball-joint with bracket for tight bends

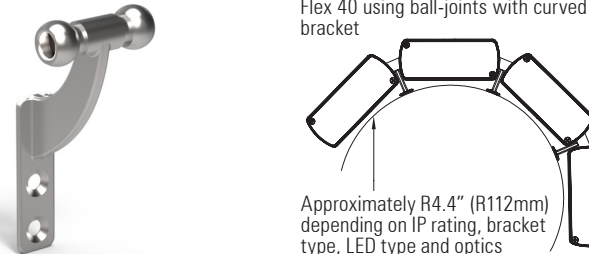
Minimum bend radius for 3D LED Flex 40 using ball-joints with bracket for tight bends



Approximately R2.4" (R61mm) depending on IP rating, LED type and optics

Ball-joint with curved bracket

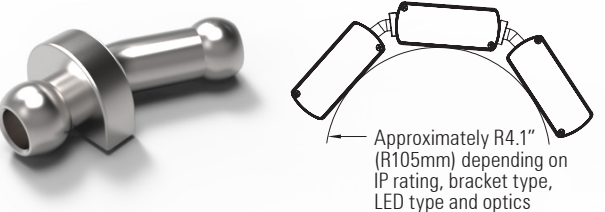
Minimum bend radius for 3D LED Flex 40 using ball-joints with curved bracket



Approximately R4.4" (R112mm) depending on IP rating, bracket type, LED type and optics

Ball-joint for tight bends

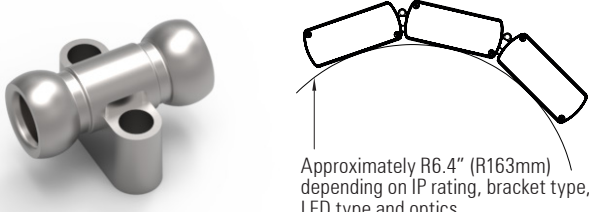
Minimum bend radius for 3D LED Flex 40 using ball-joints for tighter bends



Approximately R4.1" (R105mm) depending on IP rating, bracket type, LED type and optics

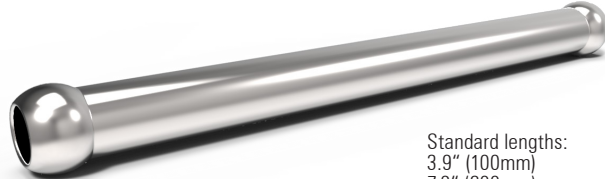
Ball-joint with in-line fixing bosses

Minimum bend radius for 3D LED Flex 40 using ball-joints with inline fixing bosses



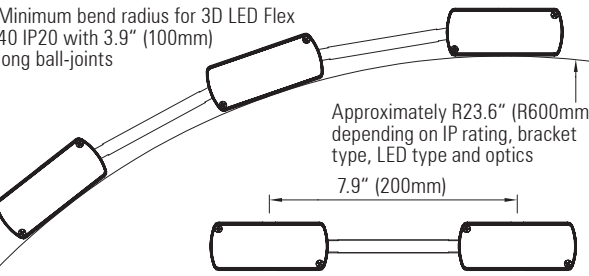
Approximately R6.4" (R163mm) depending on IP rating, bracket type, LED type and optics

Longer ball-joint



Standard lengths:
3.9" (100mm)
7.9" (200mm)
11.8" (300mm)
(Custom lengths to order)

Minimum bend radius for 3D LED Flex 40 IP20 with 3.9" (100mm) long ball-joints



Approximately R23.6" (R600mm) depending on IP rating, bracket type, LED type and optics

7.9" (200mm)